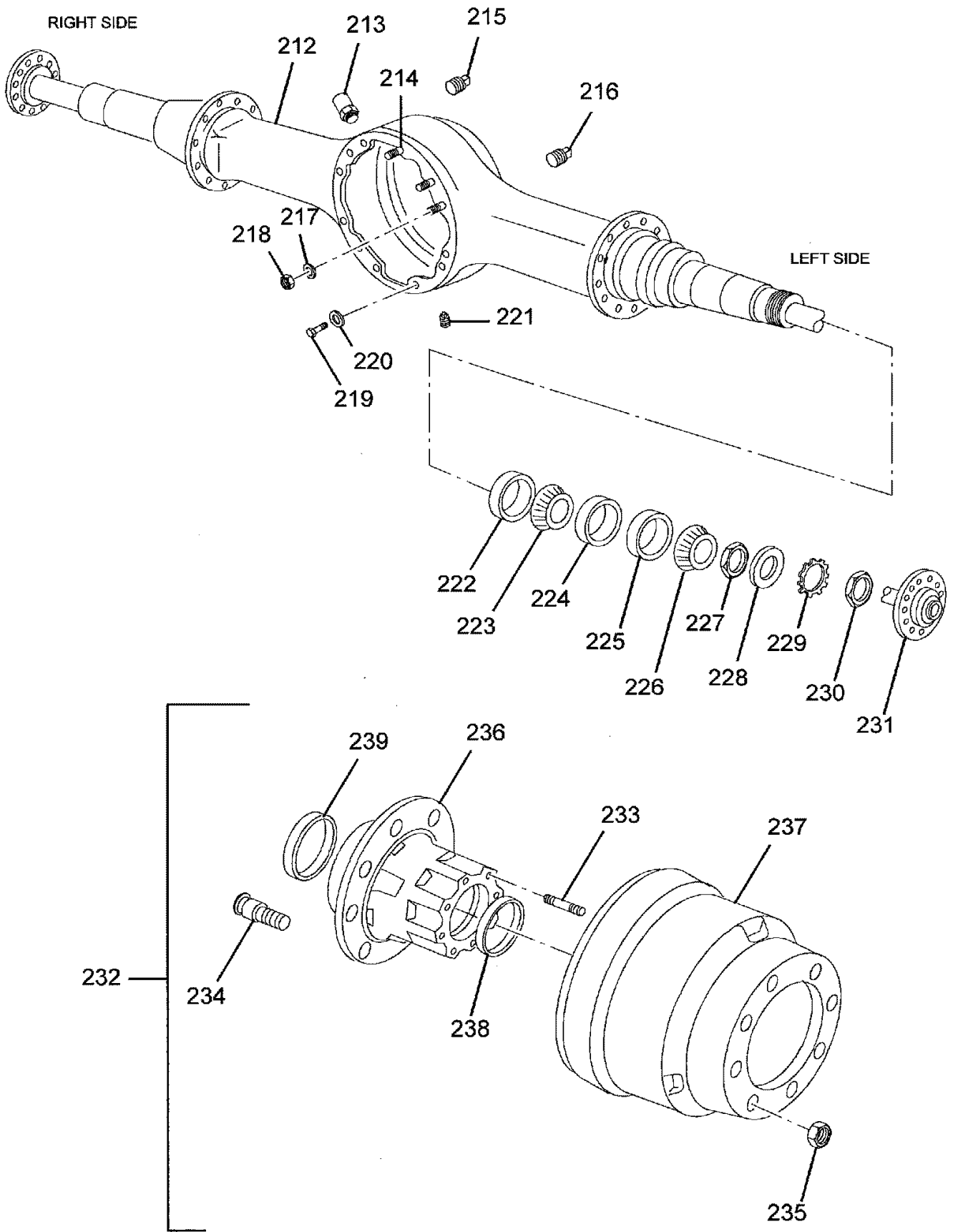
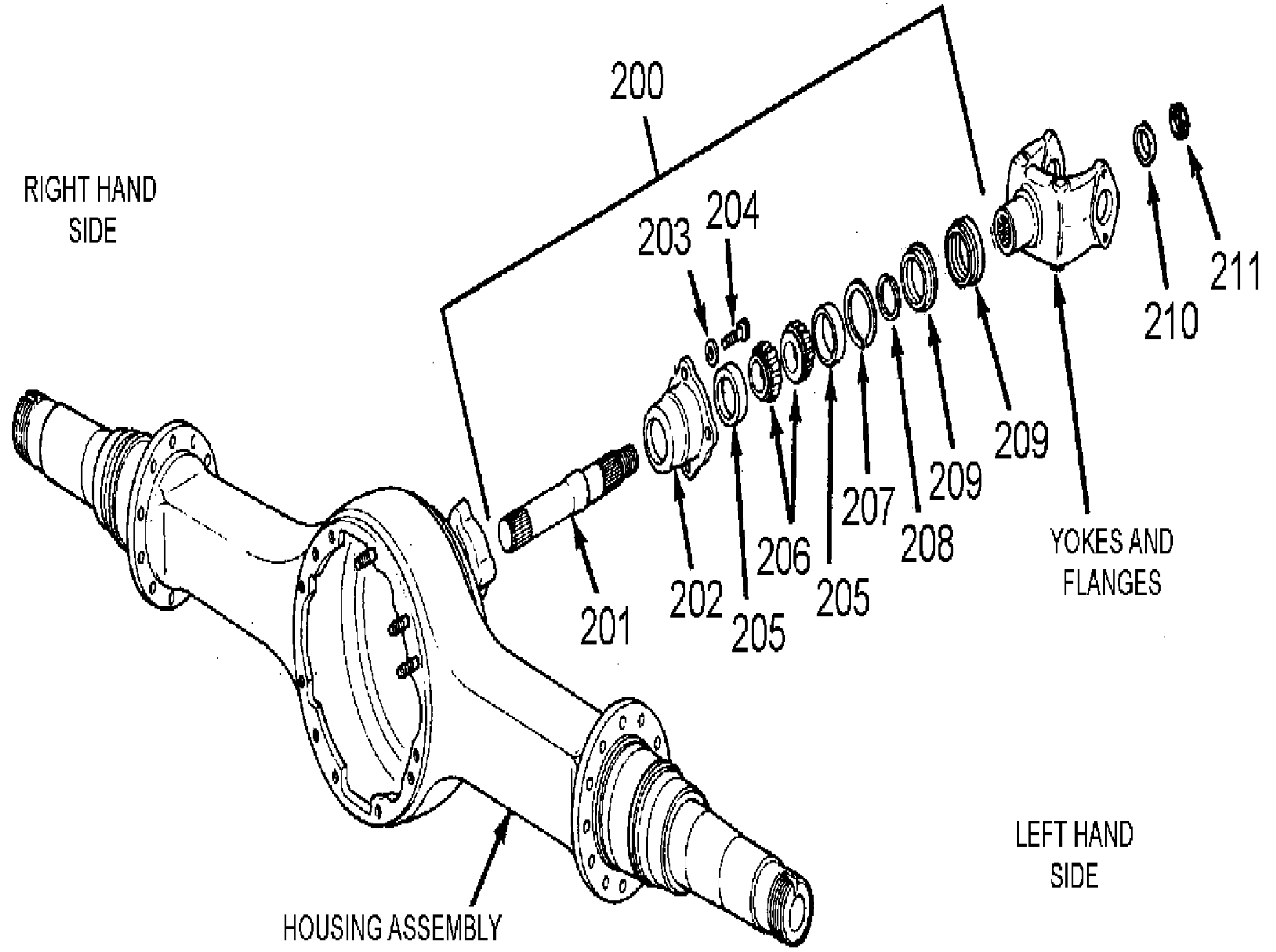


Manitowoc Cranes





RIGHT HAND
SIDE

LEFT HAND
SIDE

HOUSING ASSEMBLY

YOKES AND
FLANGES

200

203

204

201

202

205

206

205

207

208

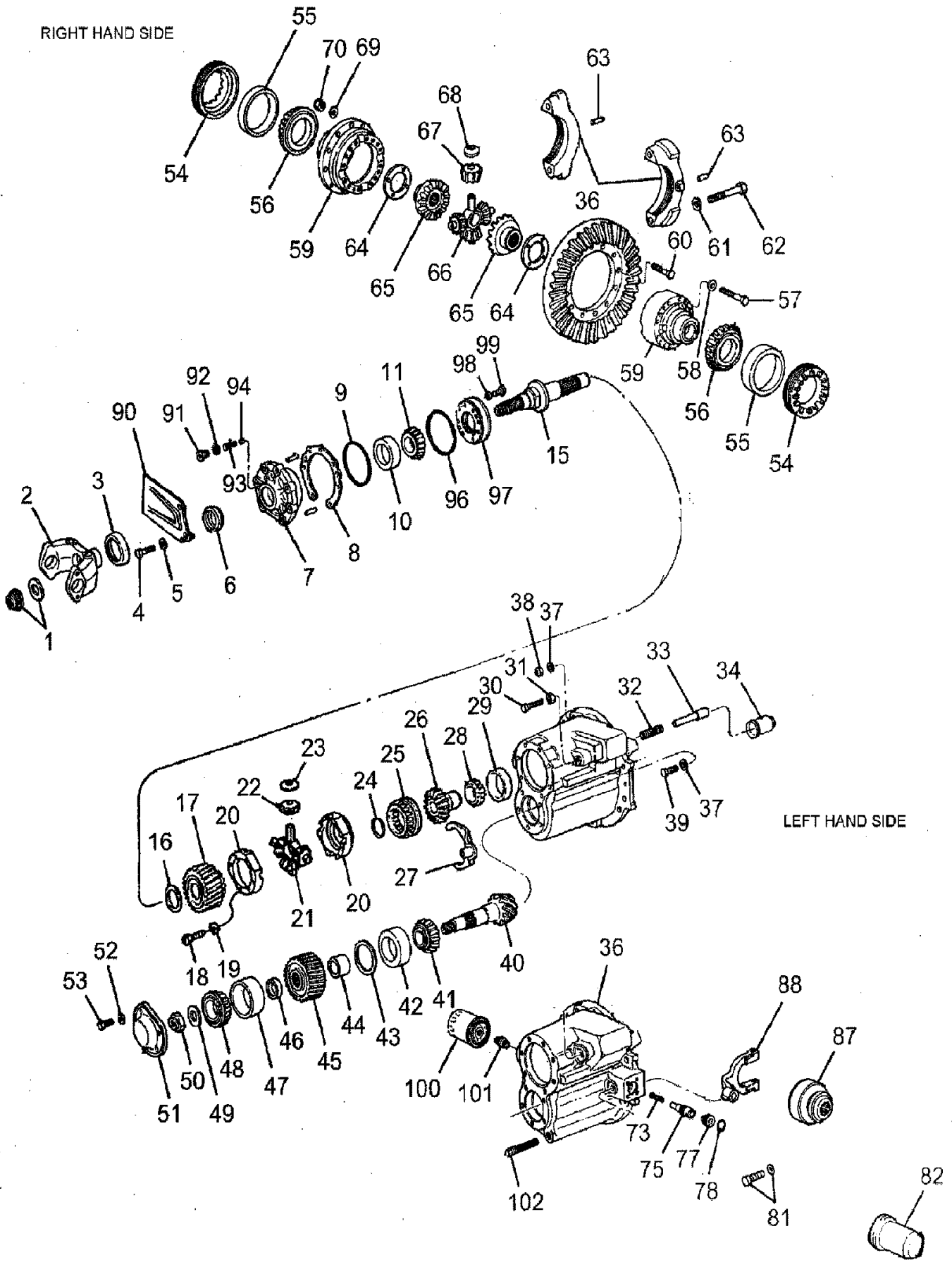
209

209

210

211

Manitowoc Cranes



7049101420

(SHEET 1 OF 3)